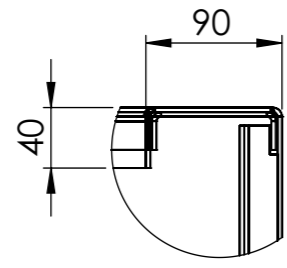
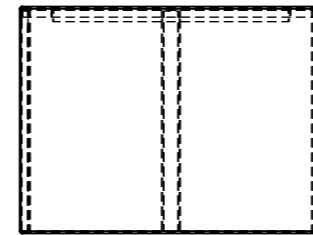
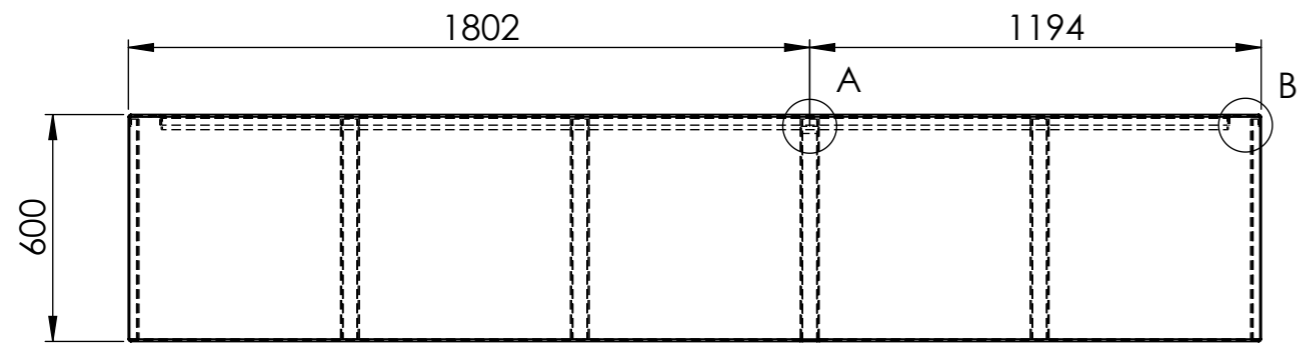
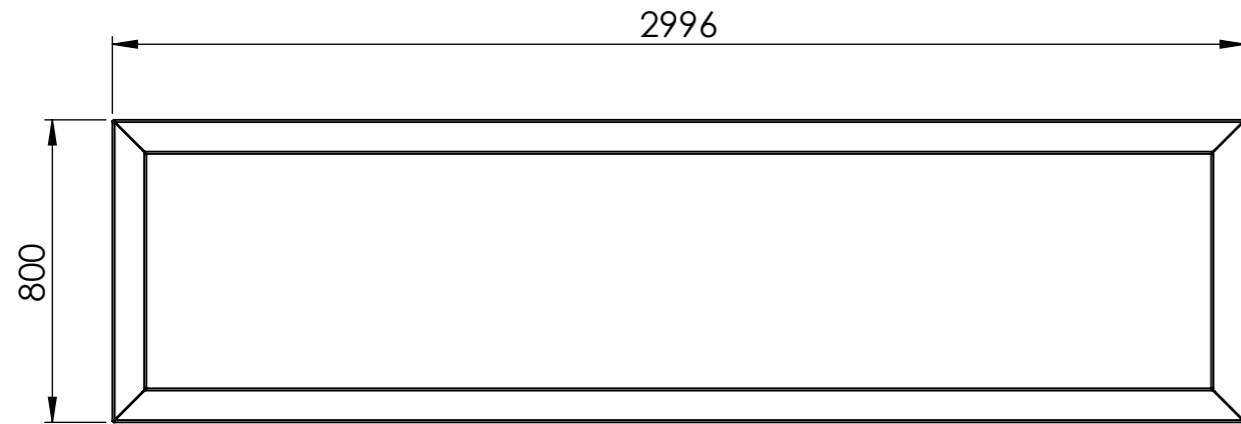
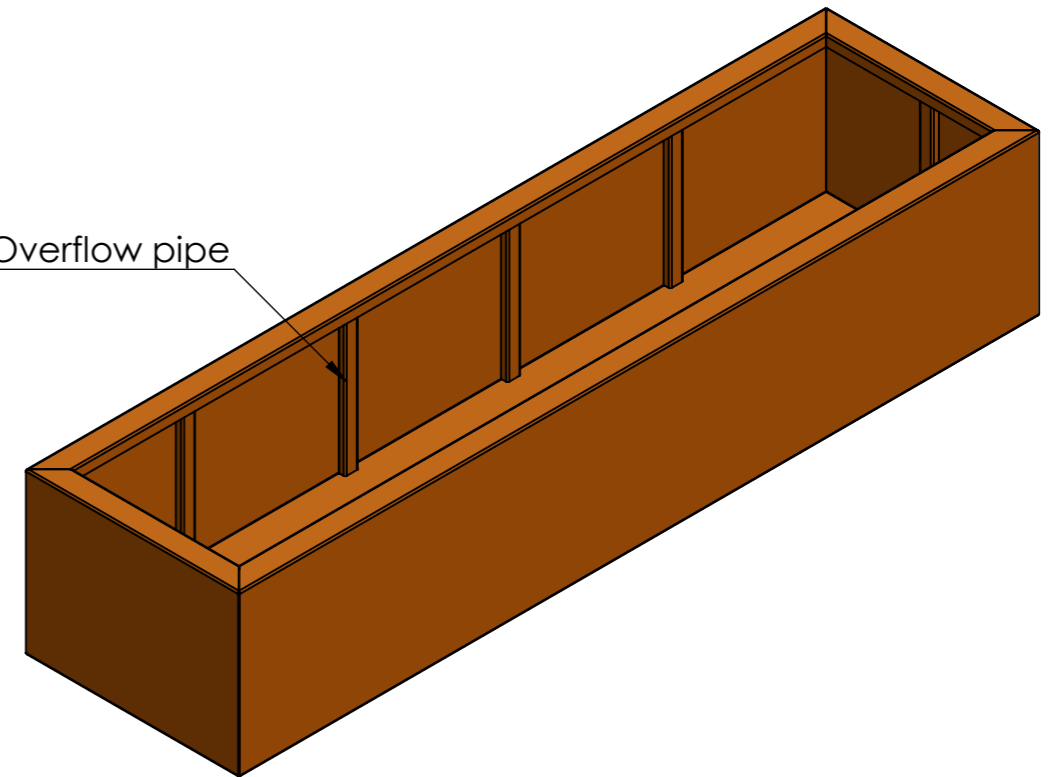


DETAIL A  
SCALE 1 : 5



DETAIL B  
SCALE 1 : 5

Overflow pipe



		DATE		TITLE:
DRAWN	Luuk van den Heuvel	2-2-2020		
REVISION	Benny Dijkhuis	4-5-2021		

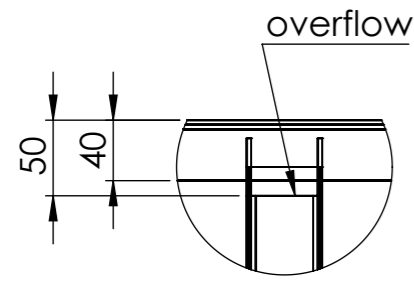
3mm Corten	
------------	--

**ADEZZ**  
DESIGN TO GROW

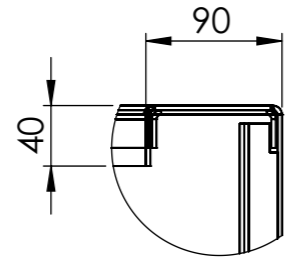
Liessentstraat 4, 5405 AG Uden (NL).  
 † 0031 (0)413 - 27 41 68.  
 e info@adezz.com, i www.adezz.com

Drawing:	VC7_	A3
----------	------	----

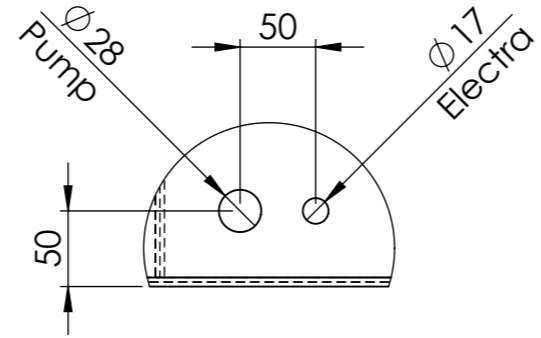
Color:	-	Mass (kg):	<b>220,62</b>	SCALE:1:20	SHEET 1 OF 13
--------	---	------------	---------------	------------	---------------



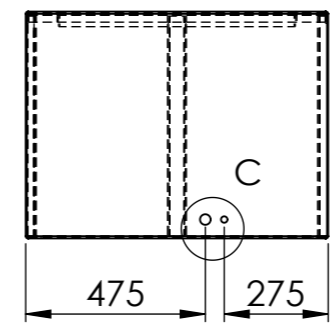
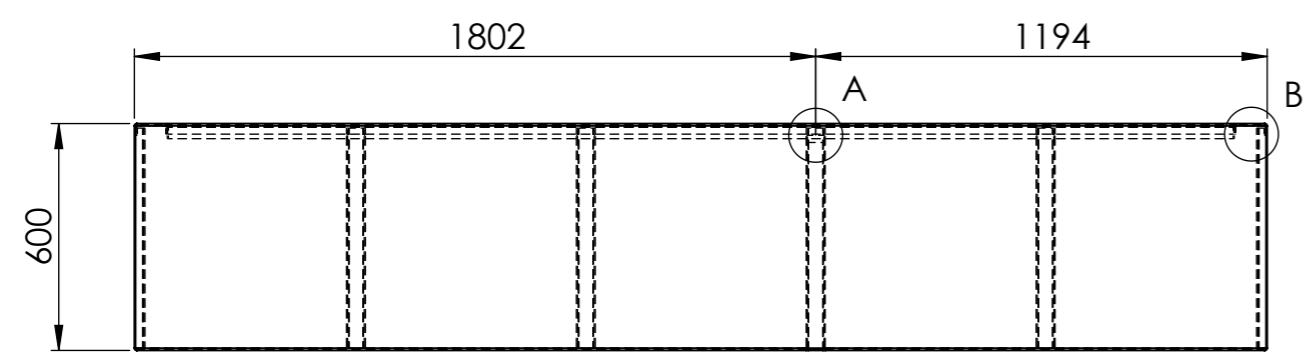
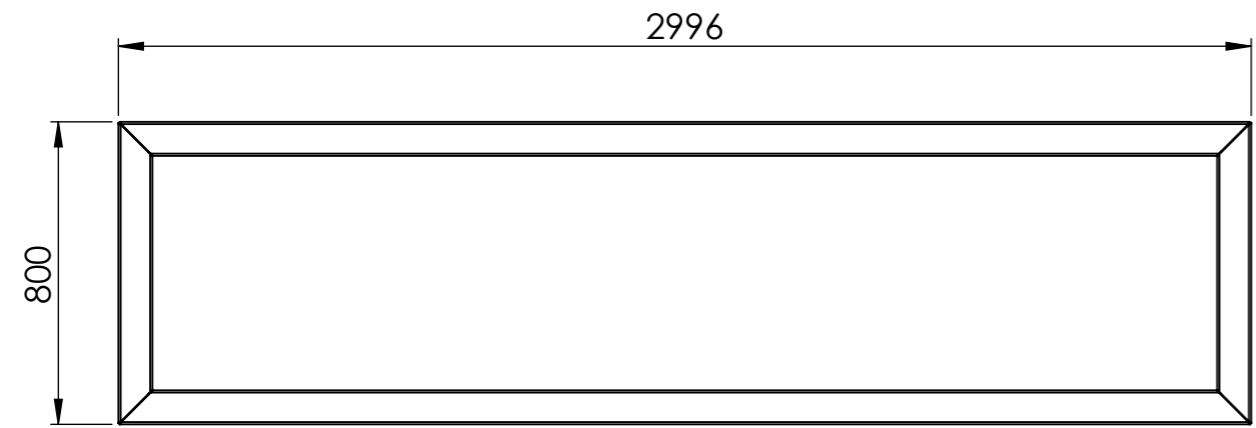
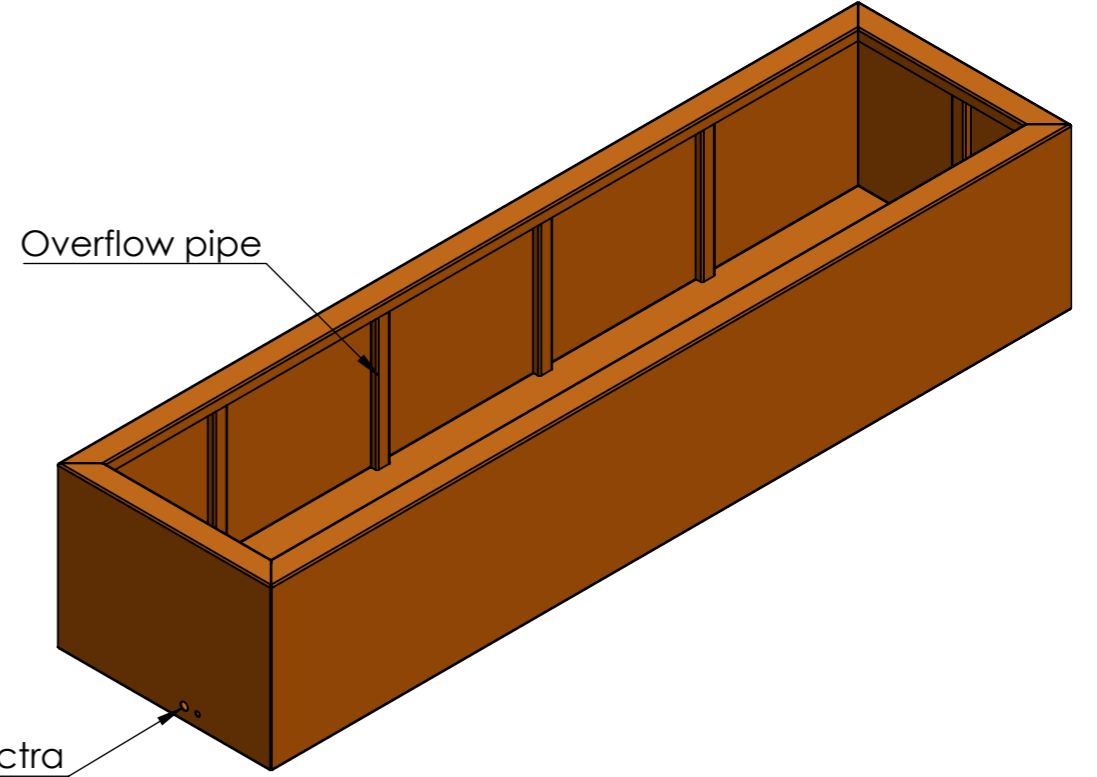
DETAIL A  
SCALE 1 : 5



DETAIL B  
SCALE 1 : 5



DETAIL C  
SCALE 1 : 5



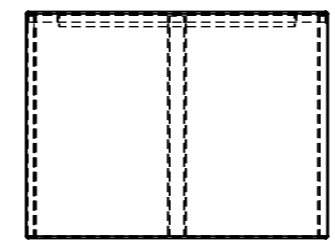
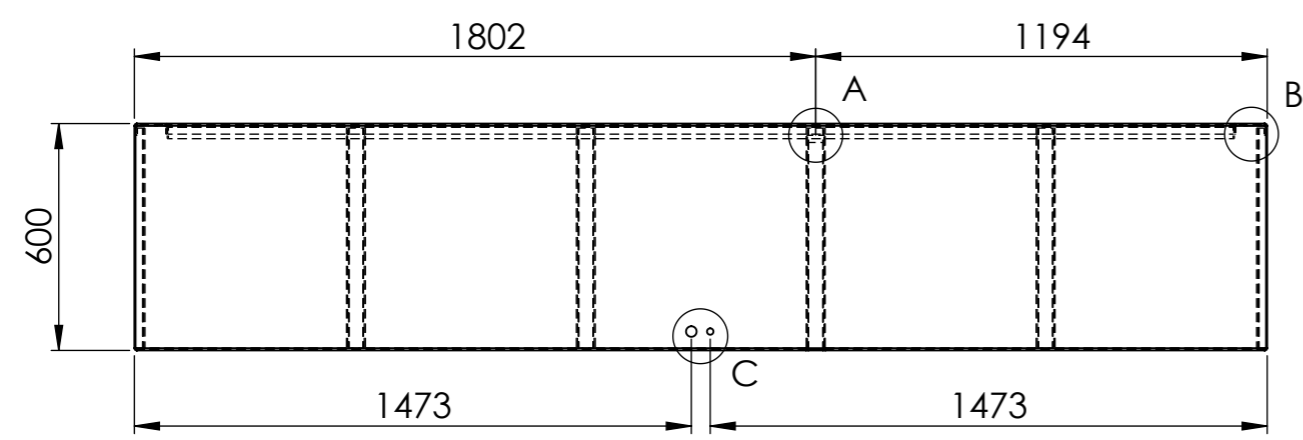
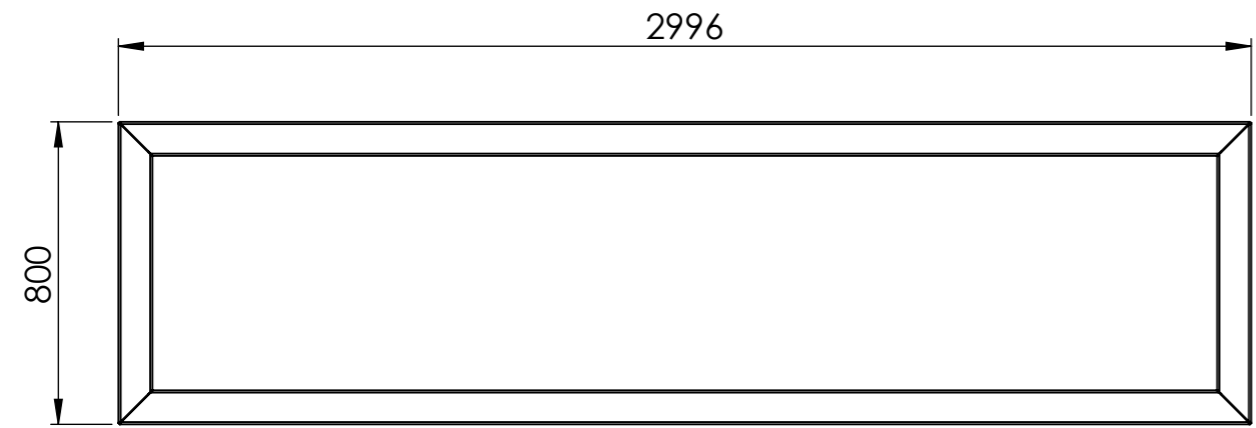
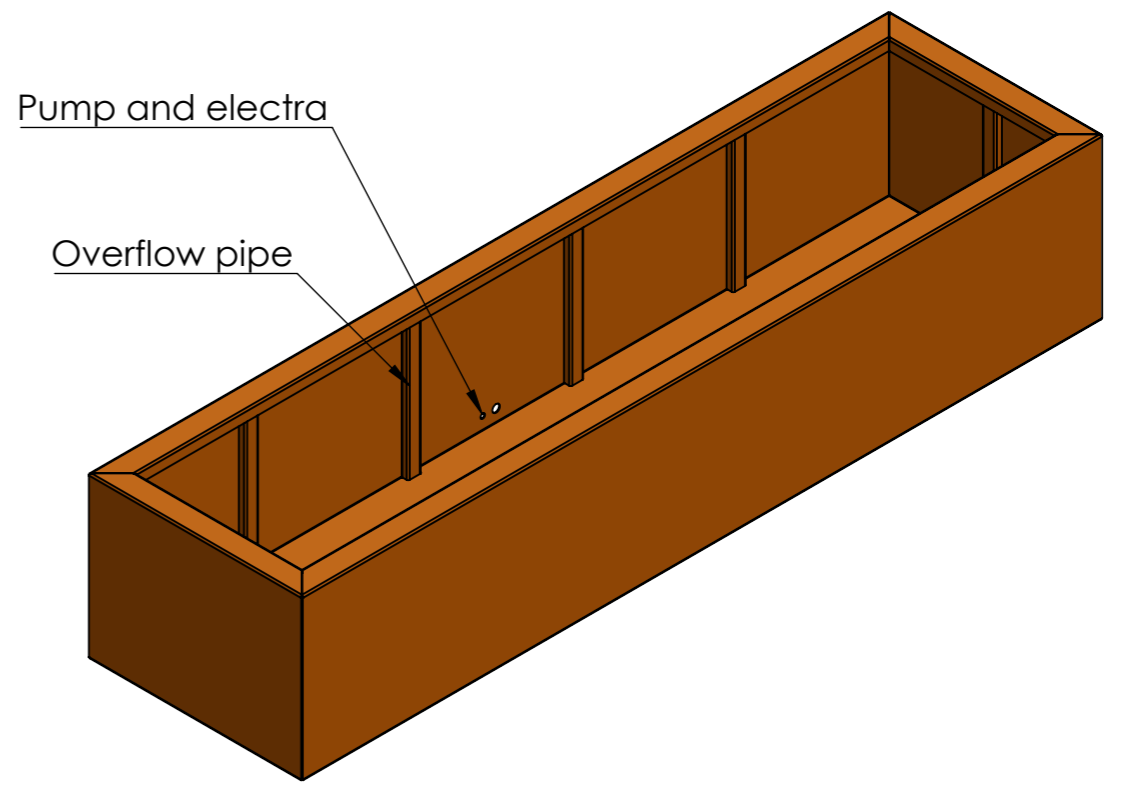
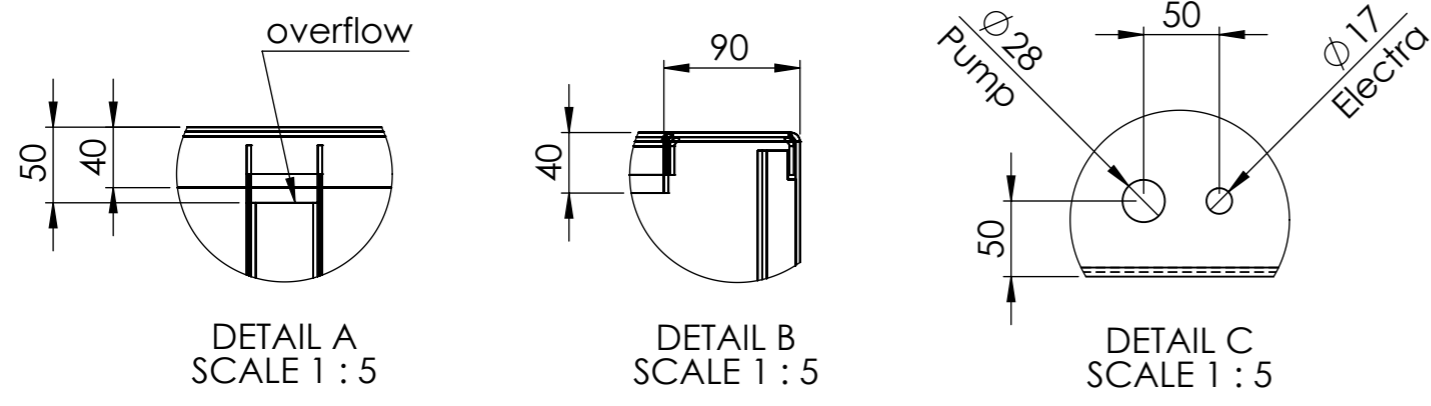
		DATE		TITLE:
DRAWN	Luuk van den Heuvel	2-2-2020		
REVISION	Benny Dijkhuis	4-5-2021		

**ADEZZ**  
DESIGN TO GROW

Liessentstraat 4, 5405 AG Uden (NL).  
 † 0031 (0)413 - 27 41 68.  
 e info@adezz.com, i www.adezz.com

Color: - Mass (kg): **220,60**

Drawing:	VC7__	A3
SCALE:1:20	SHEET 1 OF 13	



DRAWN	Luuk van den Heuvel	DATE	2-2-2020		TITLE:	3mm Corten	
REVISION	Benny Dijkhuis	DATE	4-5-2021		Drawing:	VC7_	A3
		Liessentstraat 4, 5405 AG Uden (NL). † 0031 (0)413 - 27 41 68. e info@adezz.com, i www.adezz.com		Color:	-	Mass (kg):	<b>220,60</b>
				SCALE:1:20	SHEET 1 OF 13		